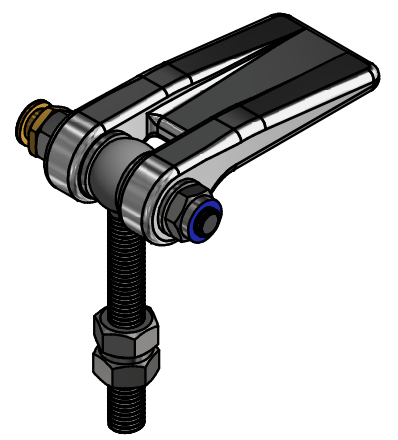
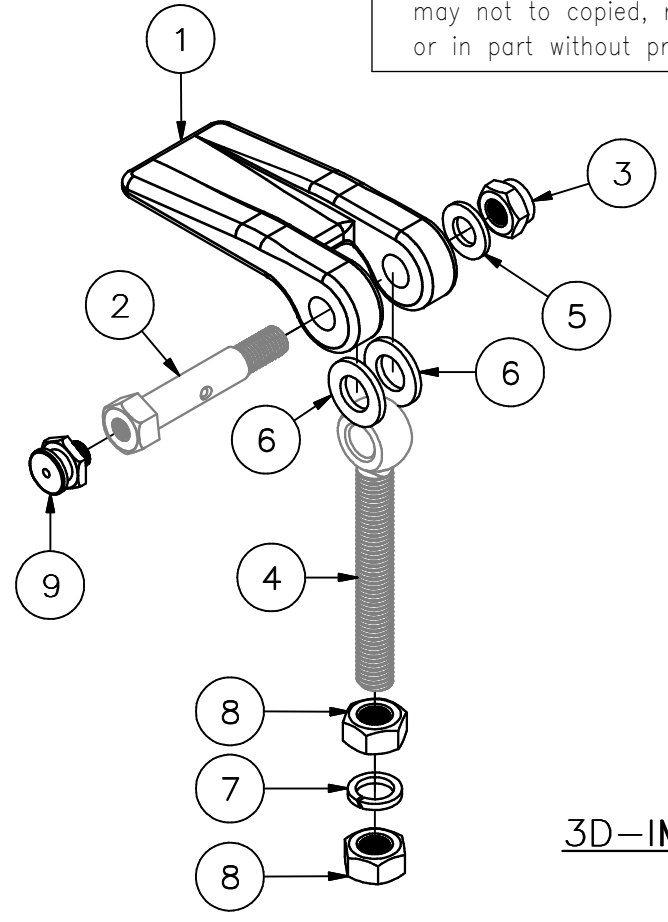
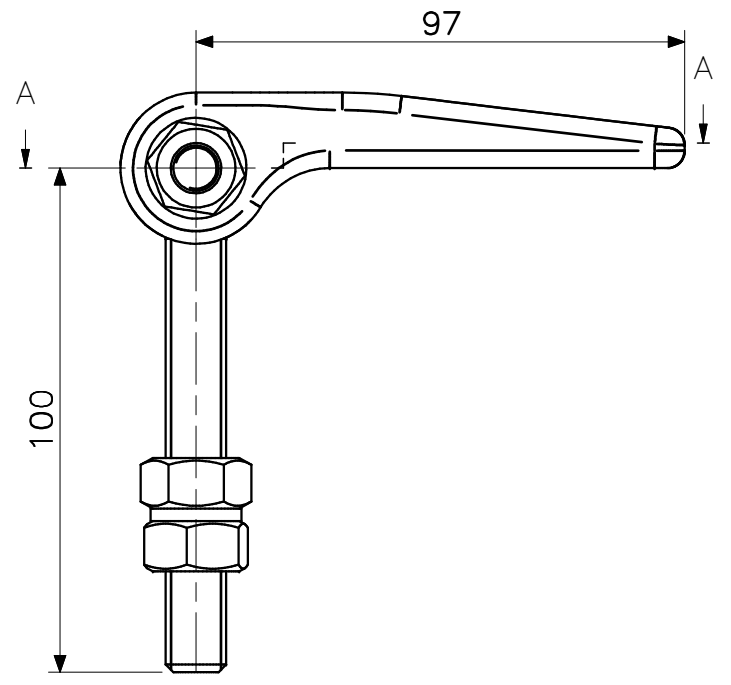
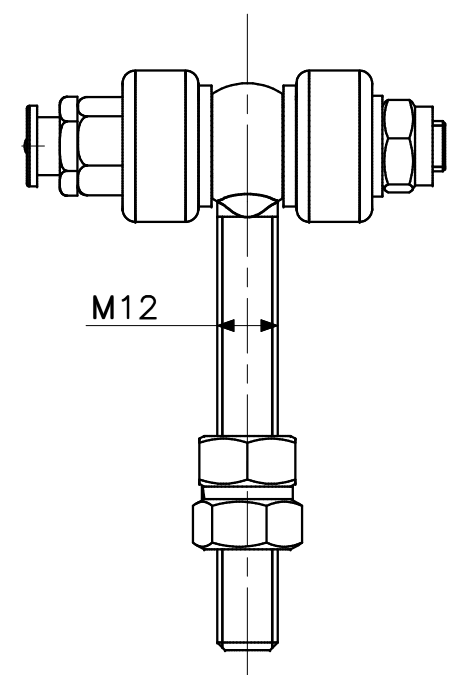
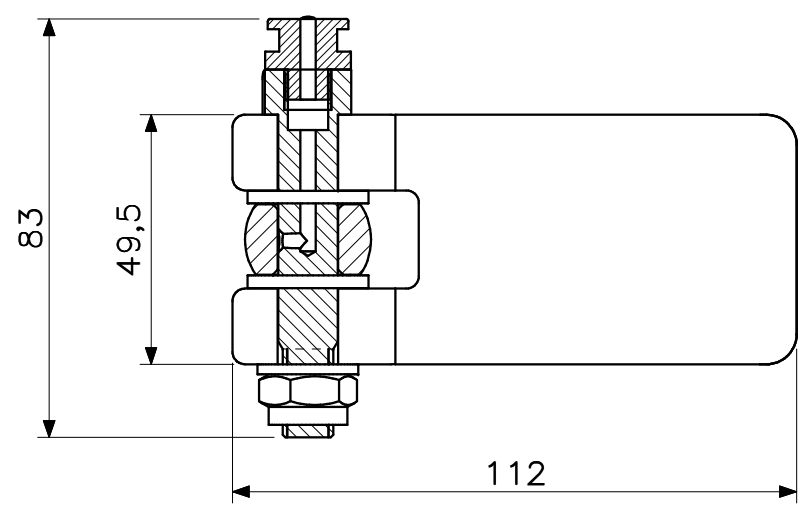


This drawing and design is protected by copyright and the information is confidential. It is also protected and registered under Dutch laws through the Dutch government department for taxes. The drawing and/or models may not to copied, reproduced, duplicated or disclosed to others, in whole or in part without prior written consent of Rob Snel B.V./the Netherlands




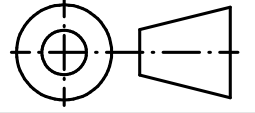
3D-IMPRESSION – EXPLODED VIEW



| POS | QTY | TITLE                            | MATERIAL        | DIMENSION     | DWG NR       |
|-----|-----|----------------------------------|-----------------|---------------|--------------|
| 9   | 1   | Grease nipple                    | Messing         | 1/8 BSP       | 80.BR.412.01 |
| 8   | 2   | HEX NUT M12                      | Steel, Mild     | DIN 934 - M12 | 12.SS.910.12 |
| 7   | 1   | Spring Washer M12                | Stainless Steel | M12           | 12.SS.922.12 |
| 6   | 2   | Washer M12                       | Stainless Steel | M12           | 12.SS.920.12 |
| 5   | 1   | Washer M10                       | Stainless Steel | M10           | 10.SS.920.11 |
| 4   | 1   | EYE BOLT M12x100 STAINLESS STEEL | Stainless Steel | M12           | 12.SS.310.20 |
| 3   | 1   | LOCK NUT DIN985                  | Stainless Steel | DIN 958 - M10 | 10.SS.912.11 |
| 2   | 1   | BOLTSPINDLE M10 STAINLESS STEEL  | Stainless Steel | L:103mm       | 12.SS.310.04 |
| 1   | 1   | Aluminium HINGE                  | Aluminium       | 121.5x70,5    | 12.AL.304.01 |

|   |  |  |
|---|--|--|
| C |  |  |
| B |  |  |
| A |  |  |

Rev.: REV. DATE: REVISION SUBJECT

|          |            |   |   |
|----------|------------|---|---|
| Date:    | 2-6-2022   |  <p>Rob Snel Technische Groothandel<br/>Industrieweg 39<br/>3361 HJ Sliedrecht</p> <p>T +31 (0)184 43 30 30<br/>F +31 (0)184 43 30 31<br/>E s.snel@robsnel.nl<br/>I www.robsnel.nl</p> | Art.nr:   |
| Drawn:   | Hans Baars |   | Projection type:  |
| Scale:   | 1:1,5      |   |  |
| Status:  | Pending    |   |   |
| Cust.:   |            |   |   |
| Project: |            |   |   |

Title: Assembly M12 Hinges set

|      |              |           |        |         |
|------|--------------|-----------|--------|---------|
| Mat: | Dwg.nr:      | Revision: | Sheet: | Format: |
|      | 12.AL.390.51 |           | 1      | A3      |