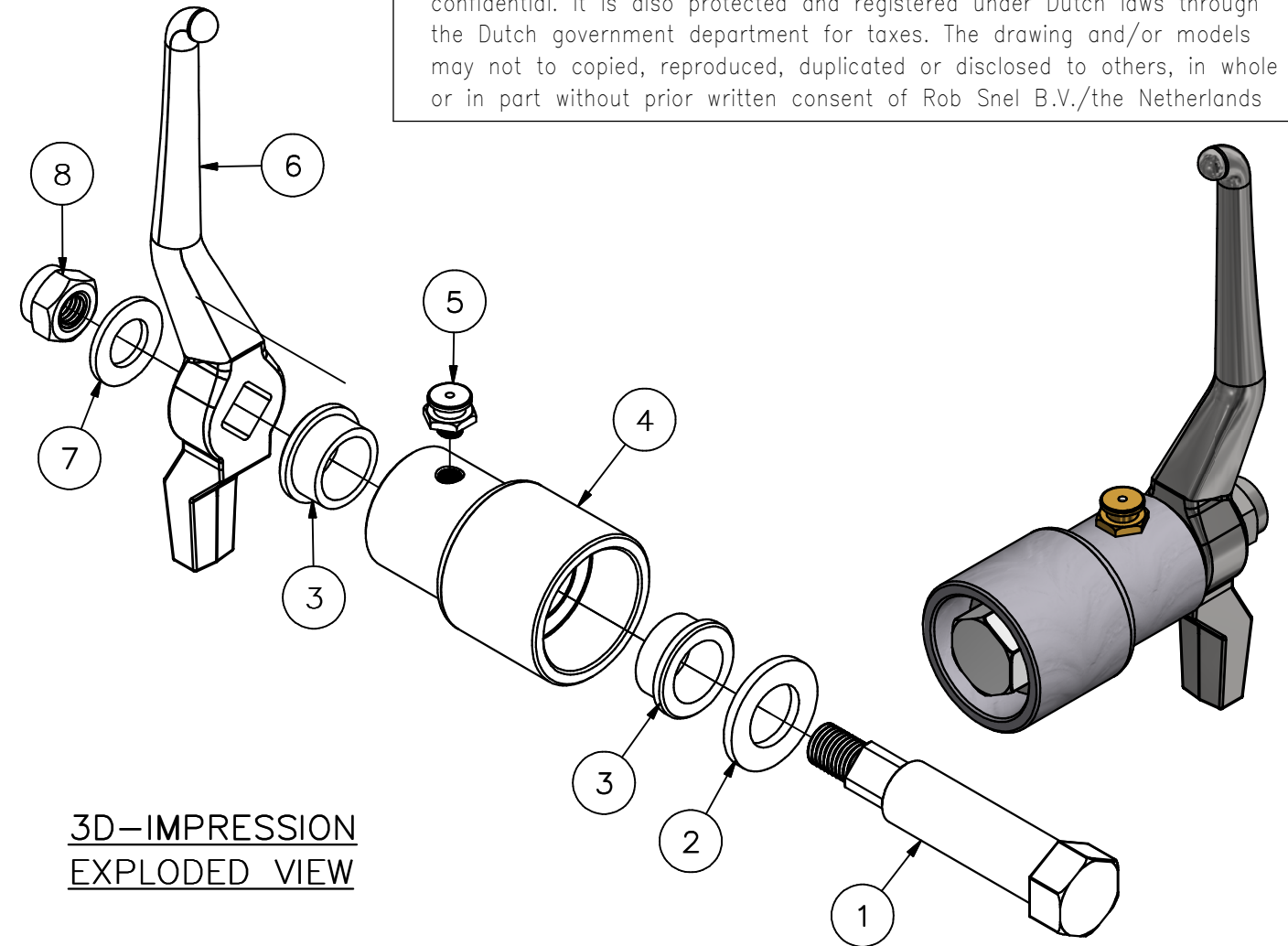


This drawing and design is protected by copyright and the information is confidential. It is also protected and registered under Dutch laws through the Dutch government department for taxes. The drawing and/or models may not be copied, reproduced, duplicated or disclosed to others, in whole or in part without prior written consent of Rob Snel B.V./the Netherlands



3D-IMPRESSON  
EXPLODED VIEW

8	1	Selflocking nut	Stainless Steel	DIN 985 - M16	16.SS.912.13
7	1	Washer M16	Stainless Steel	DIN 125 - A M 16	16.SS.920.13
6	1	Handle	Stainless Steel		80.SS.405.02
5	1	Lubrication nipple	Brass	1/8 BSP	80.BR.412.01
4	1	Outside bush	Aluminium		93.AL.422.03
3	2	Bearing bush	Nylon		80.AL.403.04
2	1	Washer M24	Stainless Steel	DIN 125 - A - M24	93.ST.421.00
1	1	Shaft	Stainless Steel		93.SS.421.05
POS	QTY	TITLE	MATERIAL	DIMENSION	DWG NR

C		
B		
A		

Rev.: REV. DATE: REVISION SUBJECT

Date:	21-3-2022	 <b>Rob Snel</b> TECHNISCHE GROOTHANDEL	Rob Snel Technische Groothandel Industrieweg 39 3361 HJ Sliedrecht T +31 (0)184 43 30 30 F +31 (0)184 43 30 31 E s.snel@robsnel.nl I www.robsnel.nl	Art.nr:
Drawn:	Hans Baars			Projection type:
Scale:	1:2			
Status:	Pending			
Cust.:				
Project:				

Title: **DOORTOGGLE ALUMINIUM**

Mat:	Dwg.nr:	Revision:	Sheet:	Format:
	<b>93.AL.422.50</b>		<b>1</b>	<b>A3</b>