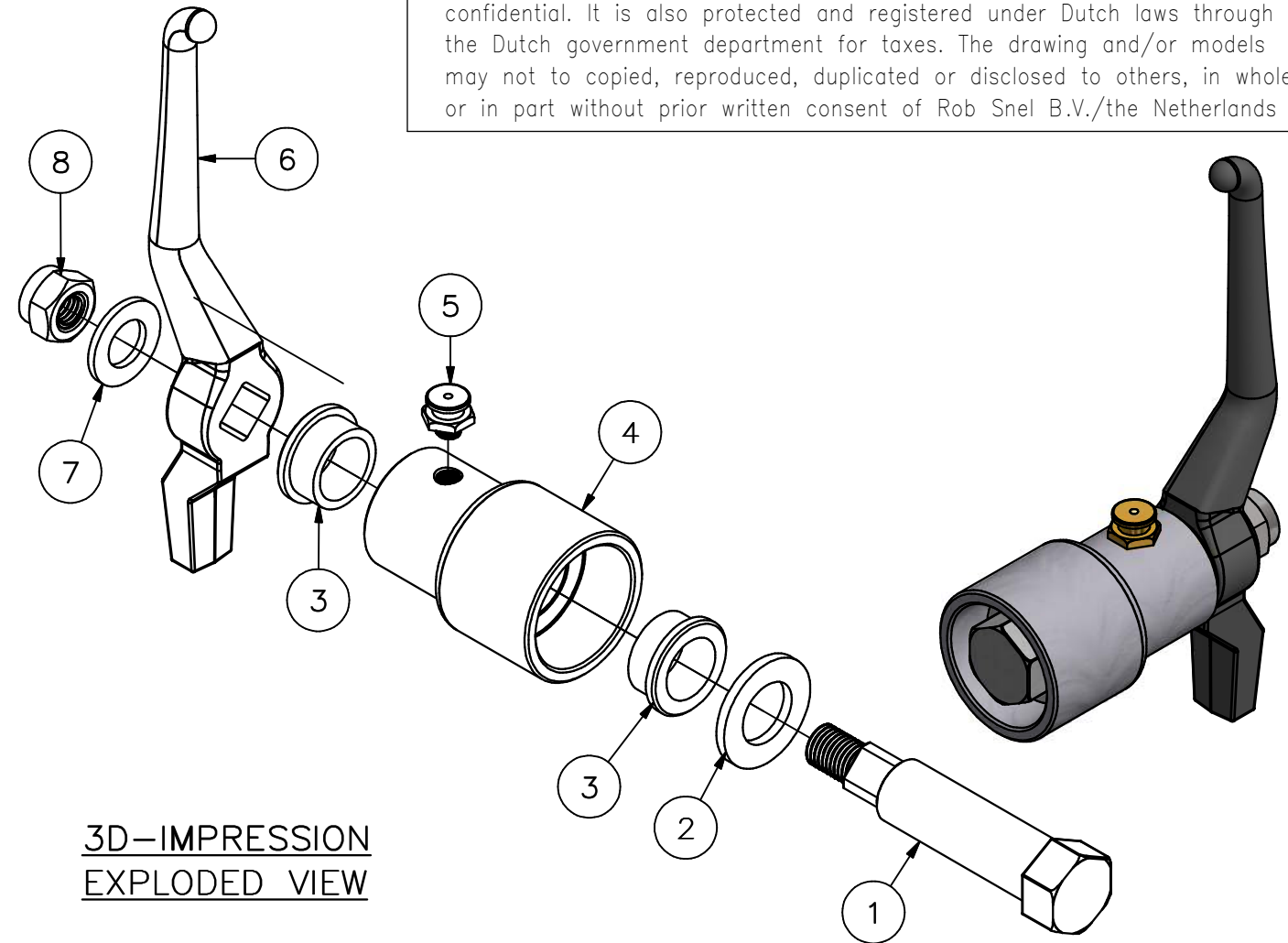


This drawing and design is protected by copyright and the information is confidential. It is also protected and registered under Dutch laws through the Dutch government department for taxes. The drawing and/or models may not be copied, reproduced, duplicated or disclosed to others, in whole or in part without prior written consent of Rob Snel B.V./the Netherlands



3D-IMPRESSON
EXPLODED VIEW

| 8 | 1 | Selflocking nut | Stainless Steel | DIN 985 - M16 | 16.SS.912.13 |
|-----|-----|--------------------|-----------------|-------------------|--------------|
| 7 | 1 | Washer M16 | Stainless Steel | DIN 125 - A M 16 | 16.SS.920.13 |
| 6 | 1 | Handle | Steel | | 80.ST.401.02 |
| 5 | 1 | Lubrication nipple | Brass | 1/8 BSP | 80.BR.412.01 |
| 4 | 1 | Outside bush | Aluminium | | 93.AL.422.03 |
| 3 | 2 | Bearing bush | Nylon | | 80.AL.403.04 |
| 2 | 1 | Washer M24 | Stainless Steel | DIN 125 - A - M24 | 93.ST.421.00 |
| 1 | 1 | Shaft | Stainless Steel | | 93.SS.421.05 |
| POS | QTY | TITLE | MATERIAL | DIMENSION | DWG NR |

| | | |
|---|--|--|
| C | | |
| B | | |
| A | | |

Rev.: REV. DATE: REVISION SUBJECT

| | | | |
|----------|------------|---|---|
| Date: | 21-3-2022 |  <p>Rob Snel Technische Groothandel Industrieweg 39 3361 HJ Sliedrecht</p> <p>T +31 (0)184 43 30 30 F +31 (0)184 43 30 31 E s.snel@robsnel.nl I www.robsnel.nl</p> | Art.nr: |
| Drawn: | Hans Baars | | Projection type: |
| Scale: | 1:2 | |  |
| Status: | Pending | | |
| Cust.: | | | |
| Project: | | | |

Title: DOORTOGGLE ALUMINIUM

| | | | | |
|------|--------------|-----------|--------|---------|
| Mat: | Dwg.nr: | Revision: | Sheet: | Format: |
| | 93.AL.422.00 | | 1 | A3 |