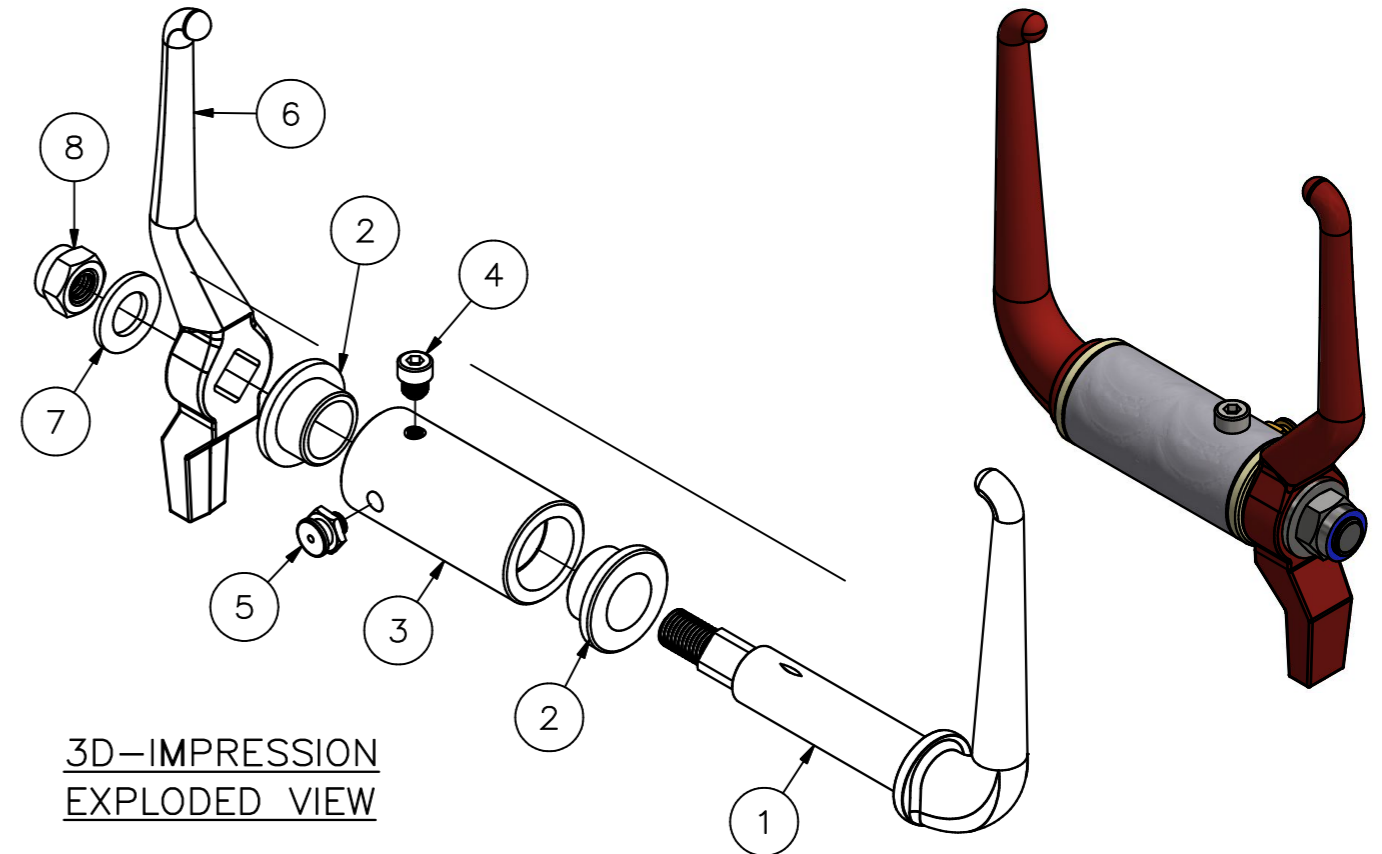


This drawing and design is protected by copyright and the information is confidential. It is also protected and registered under Dutch laws through the Dutch government department for taxes. The drawing and/or models may not be copied, reproduced, duplicated or disclosed to others, in whole or in part without prior written consent of Rob Snel B.V./the Netherlands



3D-IMPRESSON
EXPLODED VIEW

8	1	Selflocking nut	Stainless Steel	DIN 985 - M16	16.SS.912.13
7	1	Washer	Stainless Steel	DIN 125 - M16	16.SS.920.13
6	1	Handle	Steel		80.ST.401.02
5	1	Lubrication nipple	Brass	1/8 BSP	80.BR.412.01
4	1	Spring Plunger CF06708.412.50	Stainless Steel	M10	80.SS.412.50
3	1	Buitenbus	Aluminium	93 mm	93.AL.404.03
2	2	Bearing bush	Nylon		80.AL.403.04
1	1	Handle with shaft	Steel	93 mm	93.ST.402.01
POS	AANT	BENAMING	MATERIAAL	AFMETING	TEKNR

C					
B					
A					

Rev.: REV. DATE: REVISION SUBJECT

Date:	21-3-2022	 <p>Rob Snel Technische Groothandel Industrieweg 39 3361 HJ Sliedrecht</p> <p>T +31 (0)184 43 30 30 F +31 (0)184 43 30 31 E s.snel@robsnel.nl I www.robsnel.nl</p>	Art.nr:
Drawn:	Hans Baars		Projection type:
Scale:	1:2		
Status:	Pending		
Cust.:			
Project:			

Title: Doortogge Aluminium 93mm

Mat:	Dwg.nr:	Revision:	Sheet:	Format:
	93.AL.404.00		1	A3