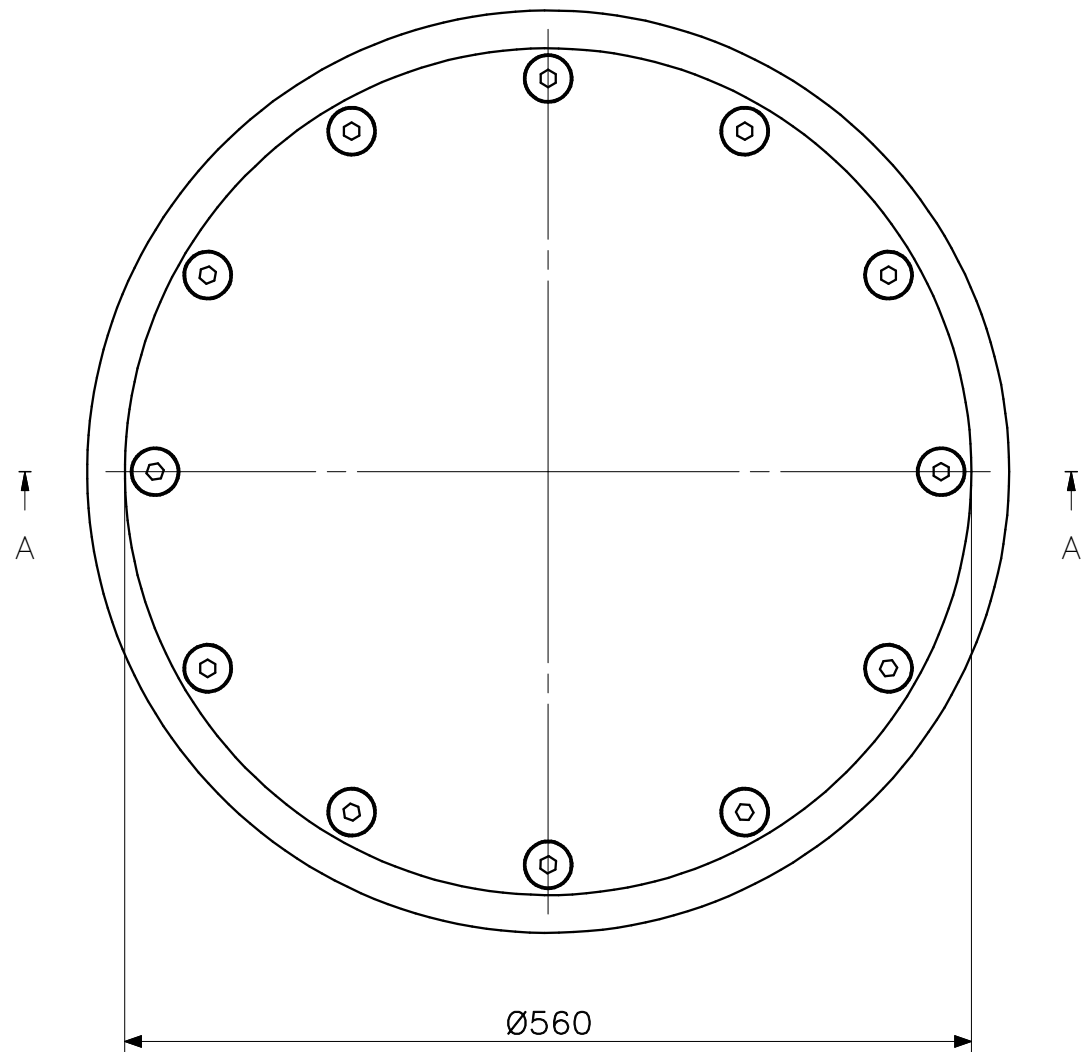
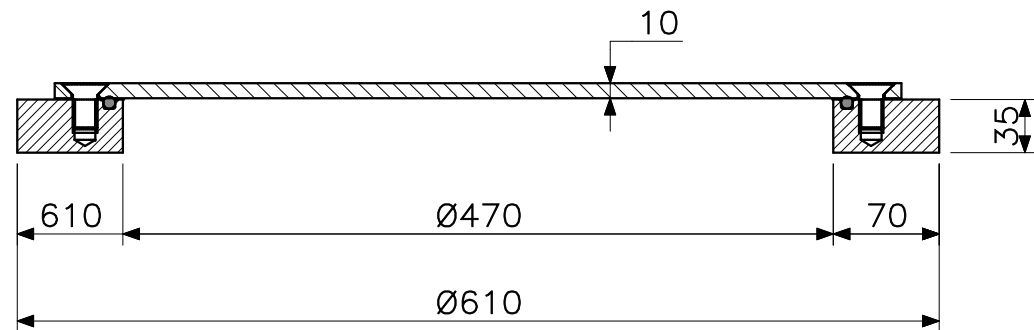


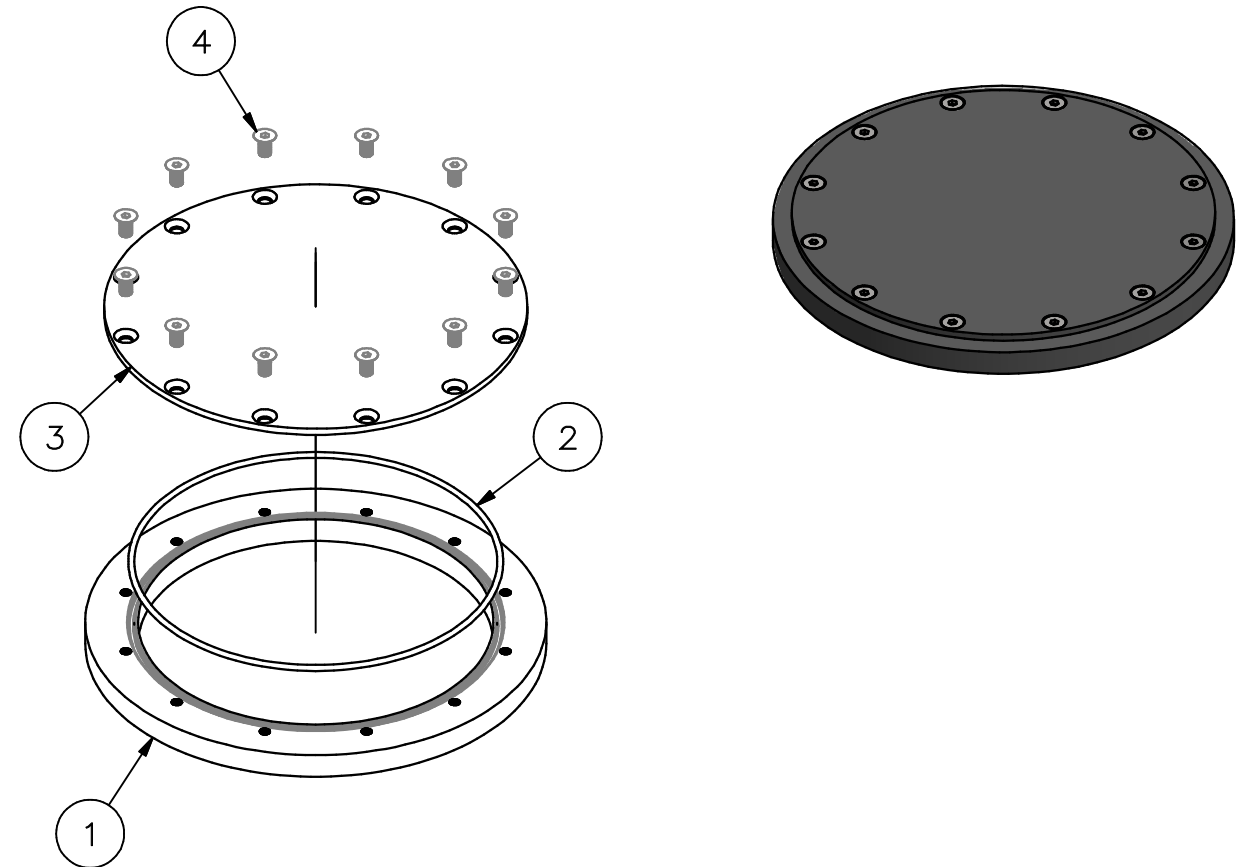
TOP-VIEW



SECTION A-A




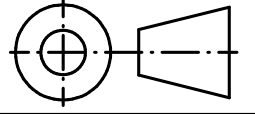
This drawing and design is protected by copyright and the information is confidential. It is also protected and registered under Dutch laws through the Dutch government department for taxes. The drawing and/or models may not to copied, reproduced, duplicated or disclosed to others, in whole or in part without prior written consent of Rob Snel B.V./the Netherlands



3D-IMPRESSION - EXPLODED VIEW

POS	QTY	TITLE	MATERIAL	DIMENSION	DWG NR
4	12	Hexagon socket countersunk head	Steel 8.8	DIN 7991 - M16x30	
3	1	Manhole Cover	Q235B	ø560x10	
2	1	Seal NBR 70gr Shore A	Nitril	ø8	
1	1	Manhole Ring	Q235B	ø560xø470x25	

REV.	DATE	REVISION SUBJECT

Date:	25-2-2022	 <p>Rob Snel TECHNISCHE GROOTHANDEL</p> <p>Rob Snel Technische Groothandel Industrieweg 39 3361 HJ Sliedrecht</p> <p>T +31 (0)184 43 30 30 F +31 (0)184 43 30 31 E s.snel@robsnel.nl I www.robsnel.nl</p>	Art.nr:		
Drawn:	Hans Baars		Projection type:		
Scale:	1:5				
Status:	Pending				
Cust.:					
Project:		<p>Title: Steel Manhole C/O ø470 - Type B - 12 Bolts</p>			
Mat:		Dwg.nr:	Revision:	Sheet:	Format:
		51.ST.512.02		1	A3