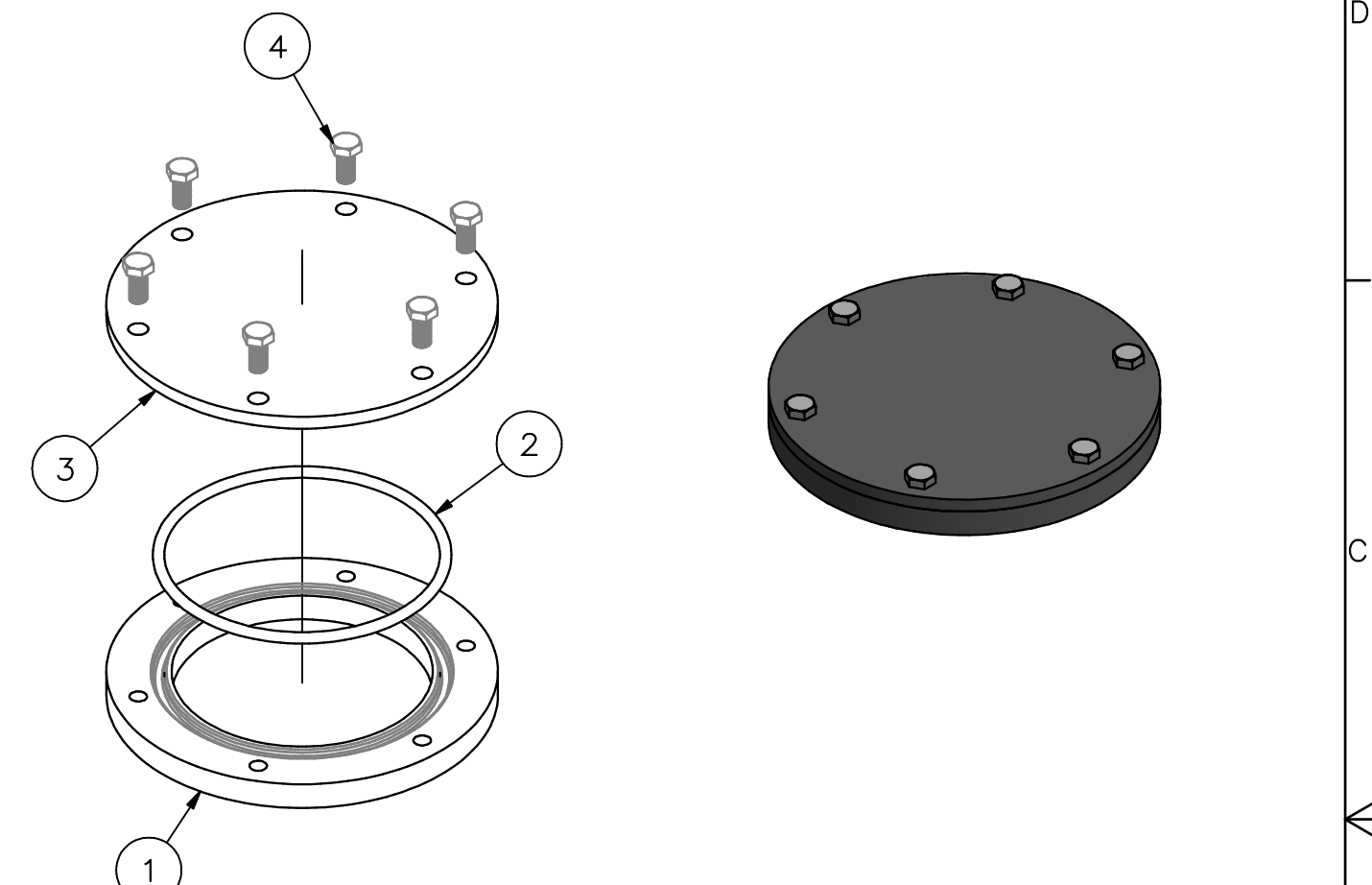



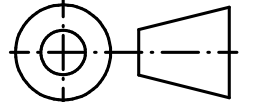
This drawing and design is protected by copyright and the information is confidential. It is also protected and registered under Dutch laws through the Dutch government department for taxes. The drawing and/or models may not to copied, reproduced, duplicated or disclosed to others, in whole or in part without prior written consent of Rob Snel B.V./the Netherlands



4	6	Hex-Head Bolt	Steel 8.8	DIN 933 - M12 x 25	
3	1	Manhole Cover	Q235B	Ø270x10	
2	1	Seal NBR 70gr Shore A	Nitril	Ø8	
1	1	Manhole Ring	Q235B	Ø270xØ180x20	
POS	QTY	TITLE	MATERIAL	DIMENSION	DWG NR

C		
B		
A		

Rev.: REV. DATE: REVISION SUBJECT

Date:	28-1-2022	 <p>Rob Snel TECHNISCHE GROOTHANDEL</p>	Rob Snel Technische Groothandel Industrieweg 39 3361 HJ Sliedrecht T +31 (0)184 43 30 30 F +31 (0)184 43 30 31 E s.snel@robsnel.nl I www.robsnel.nl	Art.nr:
Drawn:	Hans Baars			Projection type:
Scale:	1:3			
Status:	Pending			
Cust.:				
Project:				

Title: **Steel Handhole C/O Ø160 - Type R - 6 Bolts**

Mat:	Dwg.nr:	Revision:	Sheet:	Format:
	51.ST.510.01		1	A3