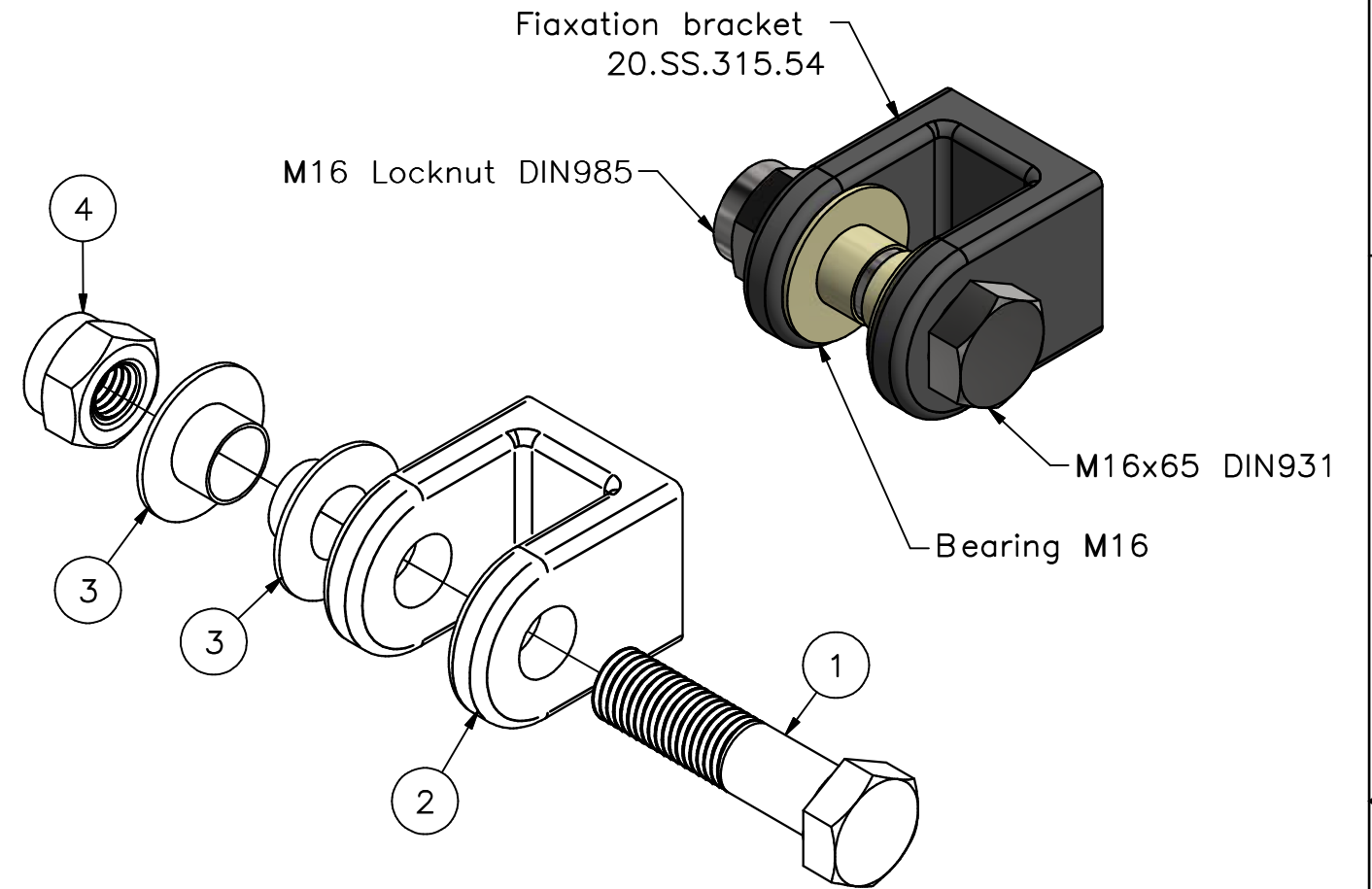


This drawing and design is protected by copyright and the information is confidential. It is also protected and registered under Dutch laws through the Dutch government department for taxes. The drawing and/or models may not be copied, reproduced, duplicated or disclosed to others, in whole or in part without prior written consent of Rob Snel B.V./the Netherlands



3D-IMPRESSION - EXPLODED VIEW

| 4   | 1   | Lock Nut DIN985  | Stainless Steel | DIN985 - M16         | 16.SS.912.13 |
|-----|-----|------------------|-----------------|----------------------|--------------|
| 3   | 2   | Nylon Bearing    | Nylon 6/6       | M16                  | 20.NL.924.14 |
| 2   | 1   | Fixation Bracket | Stainless Steel | 59x40x46             | 20.SS.315.54 |
| 1   | 1   | Hex-Head Bolt    | Stainless Steel | DIN 931-1 - M16 x 65 | 16.SS.900.65 |
| POS | QTY | TITLE            | MATERIAL        | DIMENSION            | DWG NR       |

|   |  |  |
|---|--|--|
| C |  |  |
| B |  |  |
| A |  |  |

Rev.: REV. DATE: REVISION SUBJECT

|          |            |   |   |
|----------|------------|---|---|
| Date:    | 23-9-2021  |  <p>Rob Snel Technische Groothandel<br/>Industrieweg 39<br/>3361 HJ Sliedrecht</p> <p>T +31 (0)184 43 30 30<br/>F +31 (0)184 43 30 31<br/>E s.snel@robsnel.nl<br/>I www.robsnel.nl</p> | Art.nr:   |
| Drawn:   | Hans Baars |   | Projection type:  |
| Scale:   | 1:1        |   |  |
| Status:  | Pending    |   |   |
| Cust.:   |            |   |   |
| Project: |            |   |   |

Title: **Fixation Set M20 Stainless Steel**

|      |                     |           |          |           |
|------|---------------------|-----------|----------|-----------|
| Mat: | Dwg.nr:             | Revision: | Sheet:   | Format:   |
|      | <b>20.SS.315.54</b> |           | <b>1</b> | <b>A3</b> |