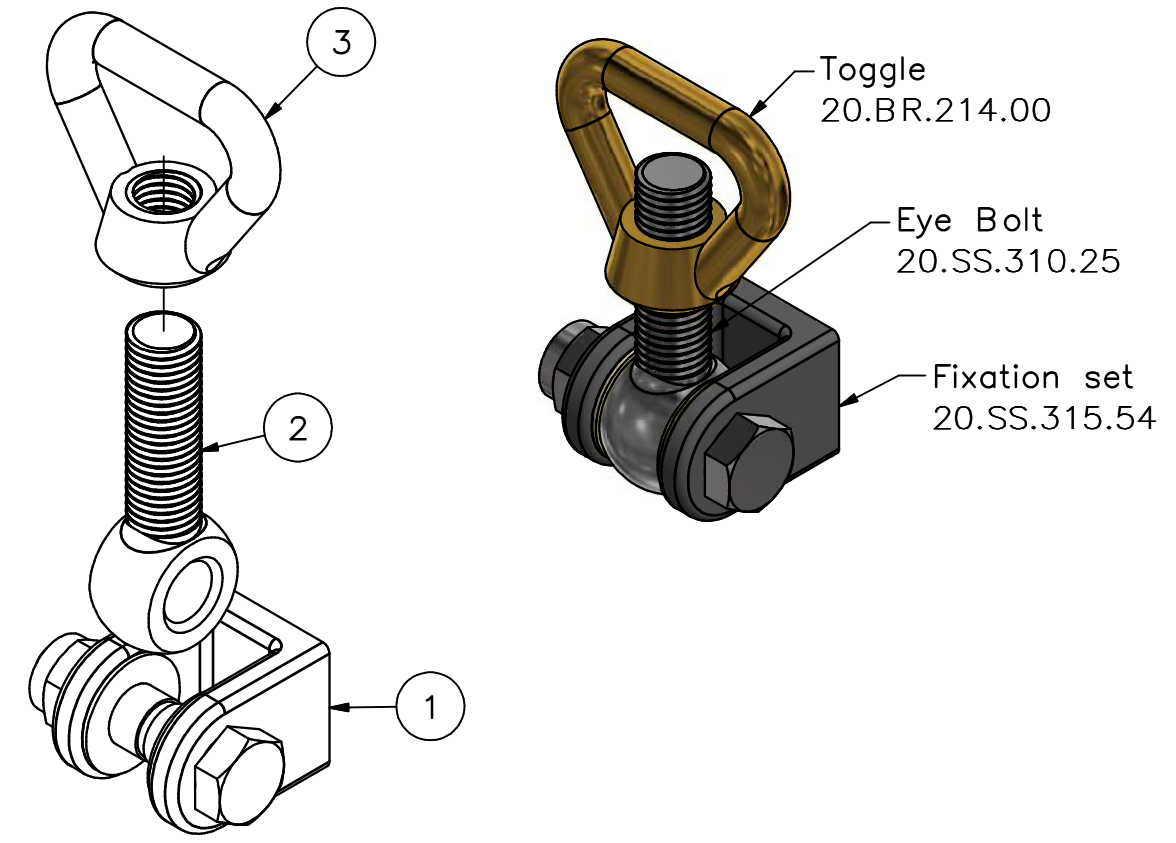
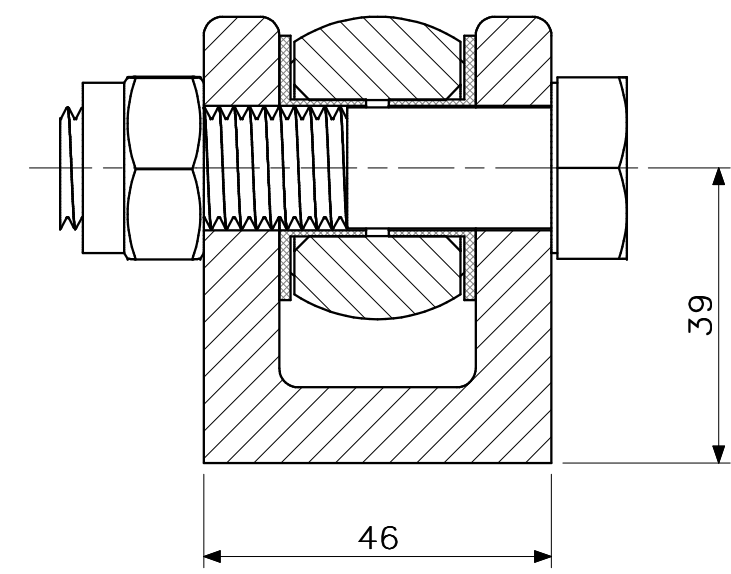
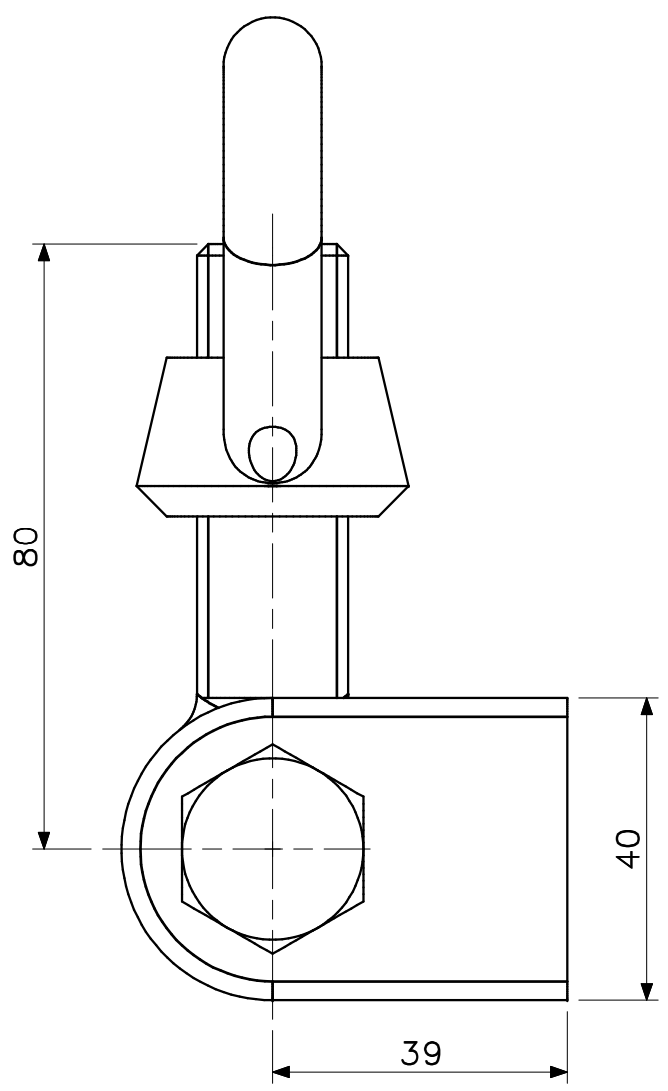
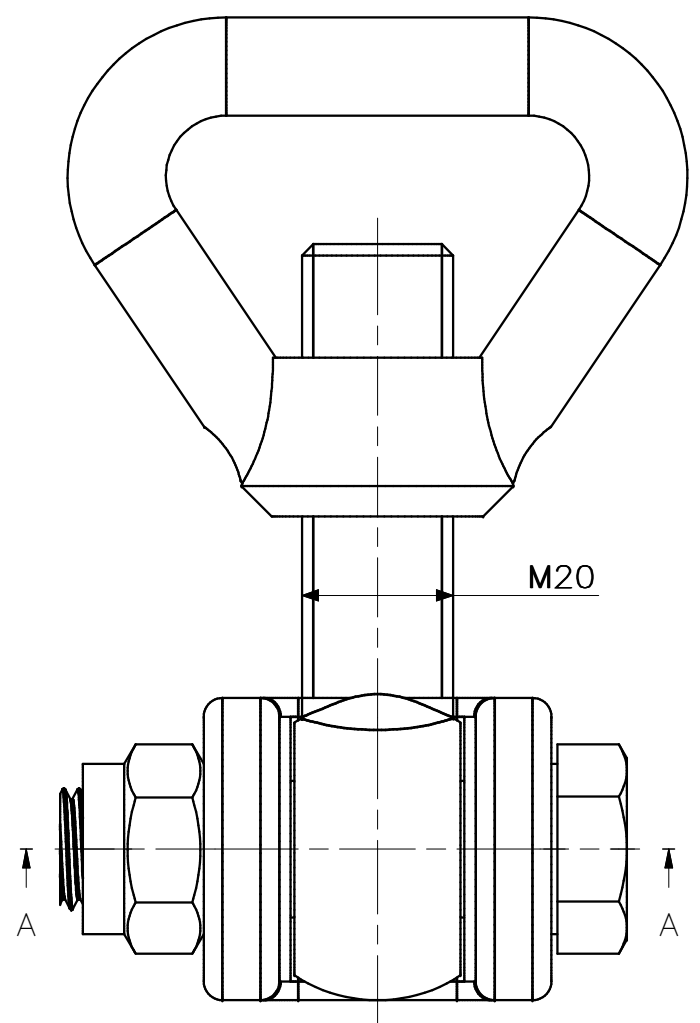

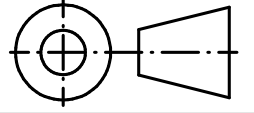


This drawing and design is protected by copyright and the information is confidential. It is also protected and registered under Dutch laws through the Dutch government department for taxes. The drawing and/or models may not be copied, reproduced, duplicated or disclosed to others, in whole or in part without prior written consent of Rob Snel B.V./the Netherlands



3D-IMPRESSION - EXPLODED VIEW

3	1	TOGGLE M20 MESSING	Messing	M20	20.BR.214.00
2	1	EYE BOLT M20x80 STAINLESS STEEL	Stainless Steel	M20x80	20.SS.310.25
1	1	Fixation Set	Stainless Steel		20.SS.315.54
POS	QTY	TITLE	MATERIAL	DIMENSION	DWG NR
C					
B					
A					
Rev.:		REV. DATE:	REVISION SUBJECT		
Date:	13-9-2021	 <b>Rob Snel</b> <small>TECHNISCHE GROOTHANDEL</small>			Art.nr:
Drawn:	Hans Baars				Projection type:
Scale:	1:1				
Status:	Pending				
Cust.:					
Project:					
<b>Title: Assembly M20 Toggle nut - Eye bolt - Fixation set</b>					
Mat:	Dwg.nr:	20.SS.021.08	Revision:	Sheet:	Format:
				1	A3

