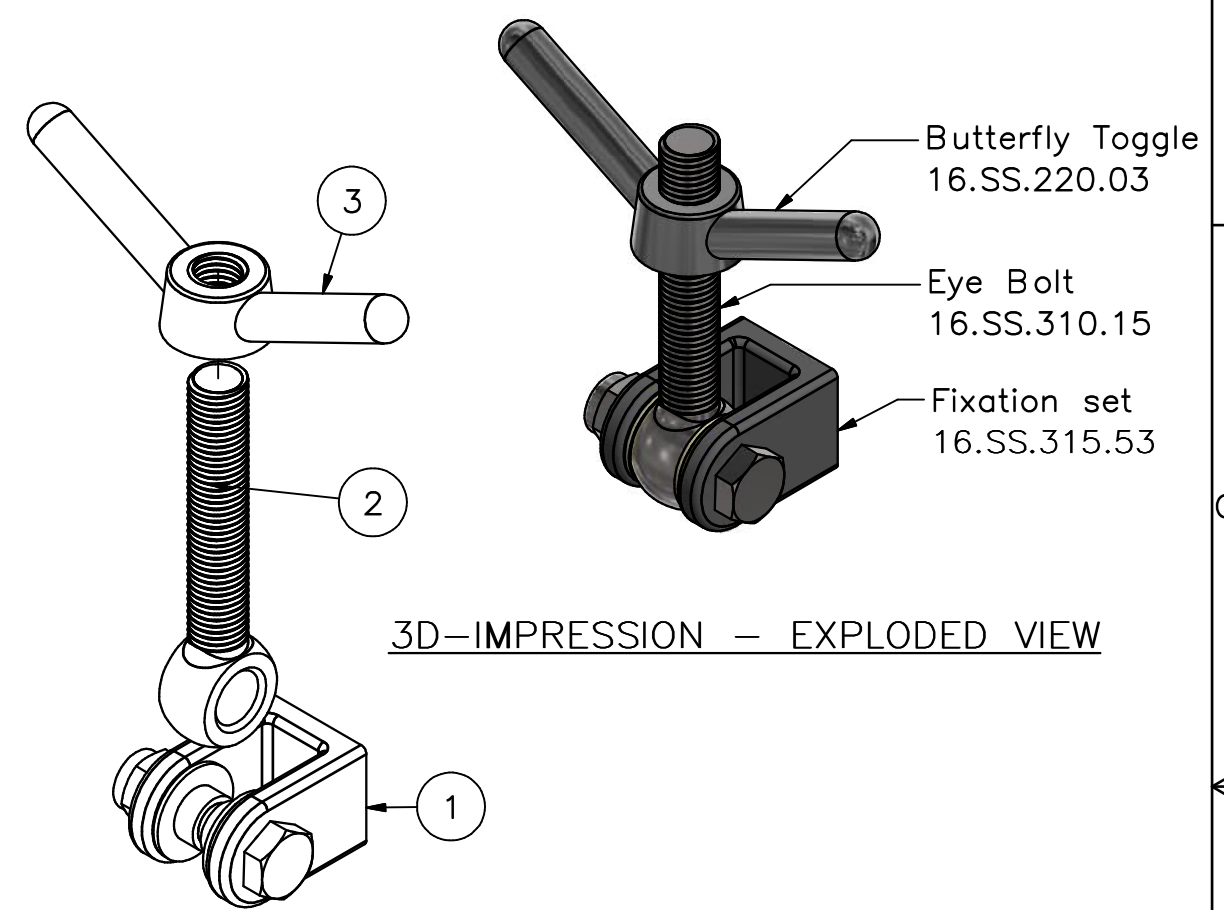
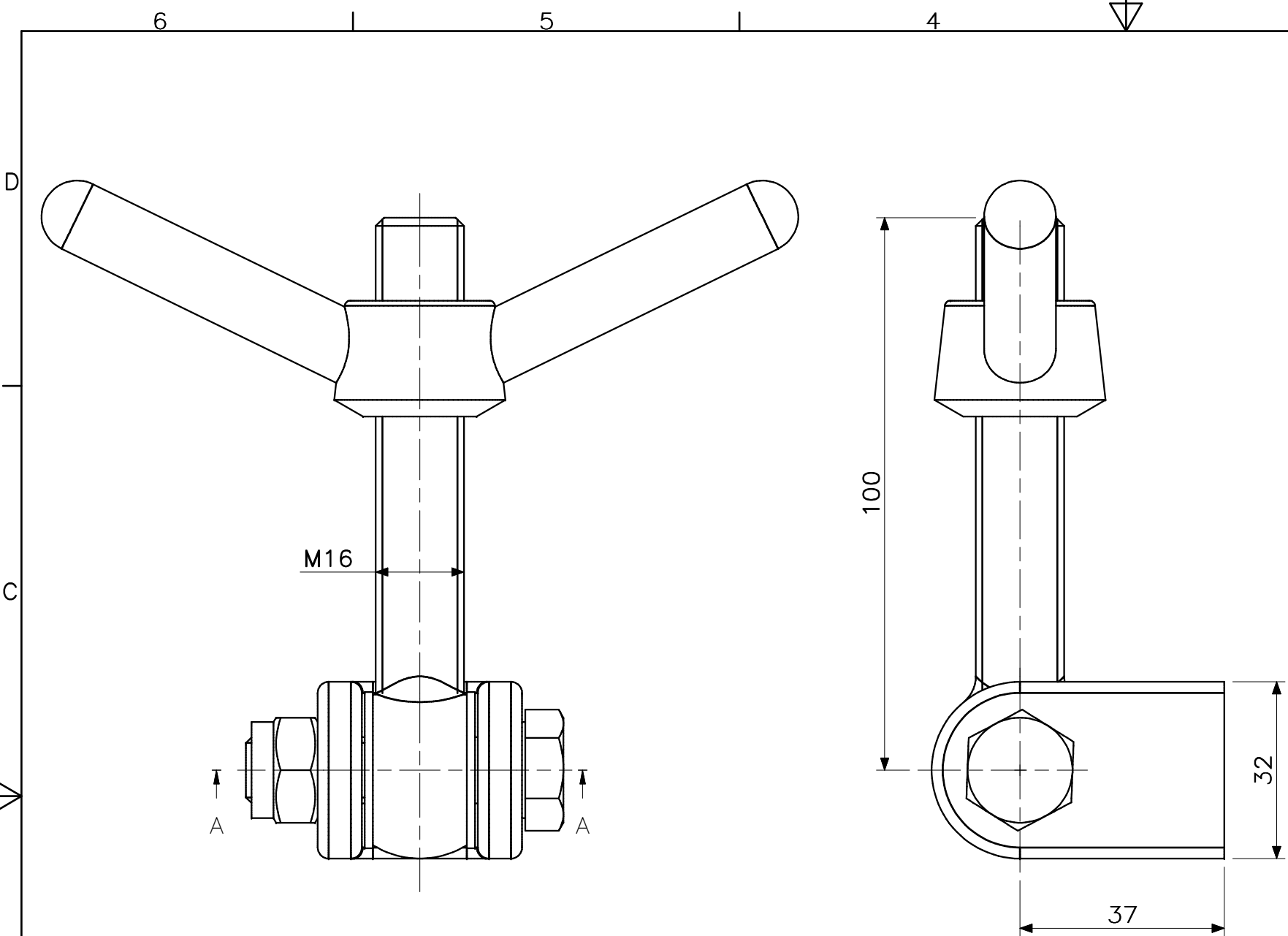

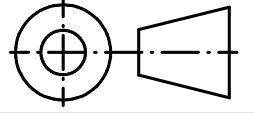


This drawing and design is protected by copyright and the information is confidential. It is also protected and registered under Dutch laws through the Dutch government department for taxes. The drawing and/or models may not be copied, reproduced, duplicated or disclosed to others, in whole or in part without prior written consent of Rob Snel B.V./the Netherlands



| 3 | 1 | BUTTERFLY TOGGLE M16 | Stainless Steel | M16 | 16.SS.220.03 |
|----------|---------------------|---|------------------|-----------|---|
| 2 | 1 | EYE BOLT M16x100 | Stainless Steel | M16x100 | 16.SS.310.15 |
| 1 | 1 | Fixation Set | Stainless Steel | | 16.SS.315.53 |
| POS | QTY | TITLE | MATERIAL | DIMENSION | DWG NR |
| C | | | | | |
| B | | | | | |
| A | | | | | |
| Rev.: | | REV. DATE: | REVISION SUBJECT | | |
| Date: | 13-9-2021 |  Rob Snel TECHNISCHE GROOTHANDEL Rob Snel Technische Groothandel Industrieweg 39 3361 HJ Sliedrecht T +31 (0)184 43 30 30 F +31 (0)184 43 30 31 E s.snel@robsnel.nl I www.robsnel.nl | | | Art.nr: |
| Drawn: | Hans Baars | | | | Projection type: |
| Scale: | 1:1 | | | |  |
| Status: | Pending | | | | |
| Cust.: | | | | | |
| Project: | | Title: Assembly M16 Toggle nut - Eye bolt - Fixation set | | | |
| Mat: | Dwg.nr: | Revision: | Sheet: | Format: | |
| | 16.SS.024.10 | | 1 | A3 | |