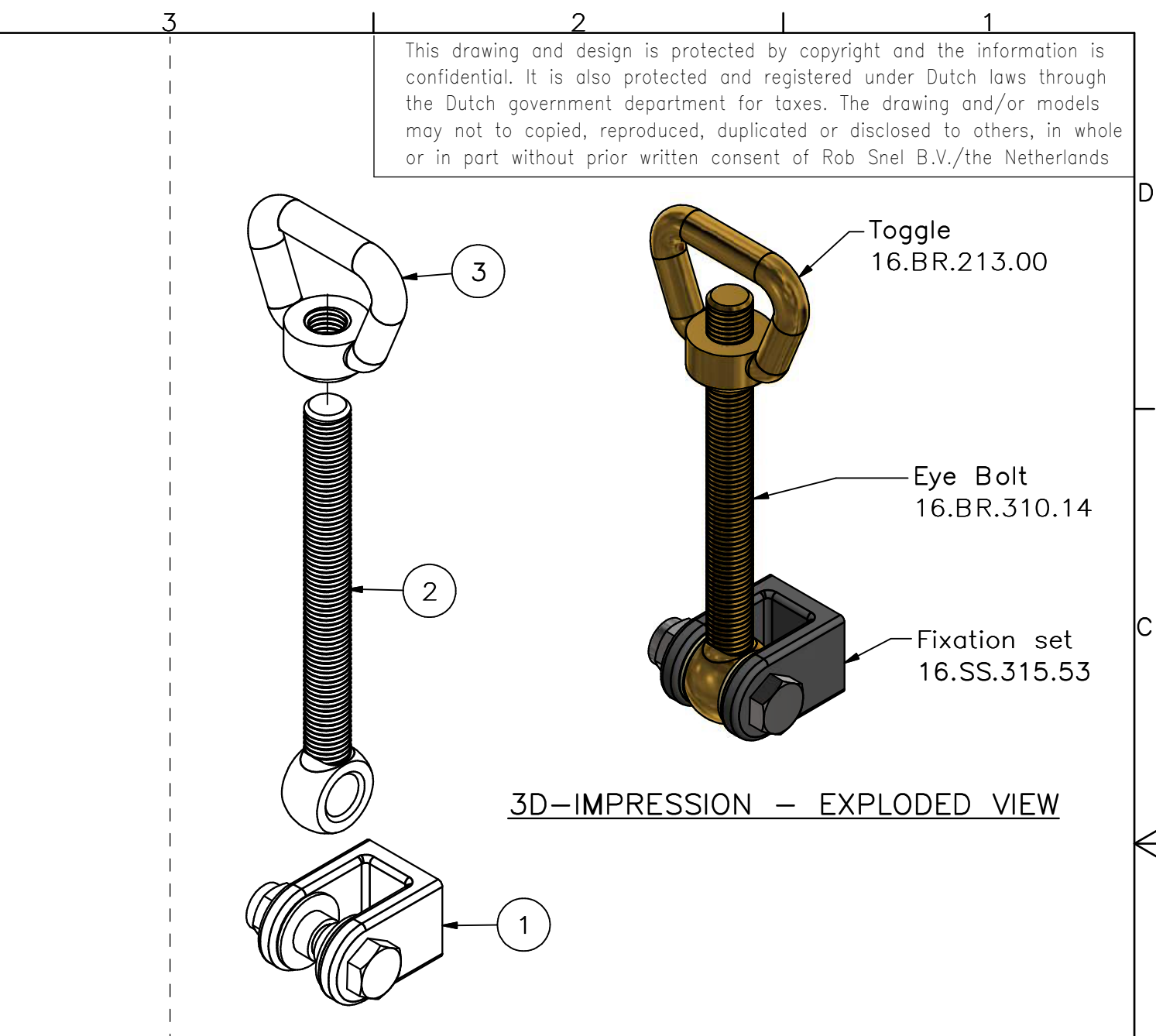
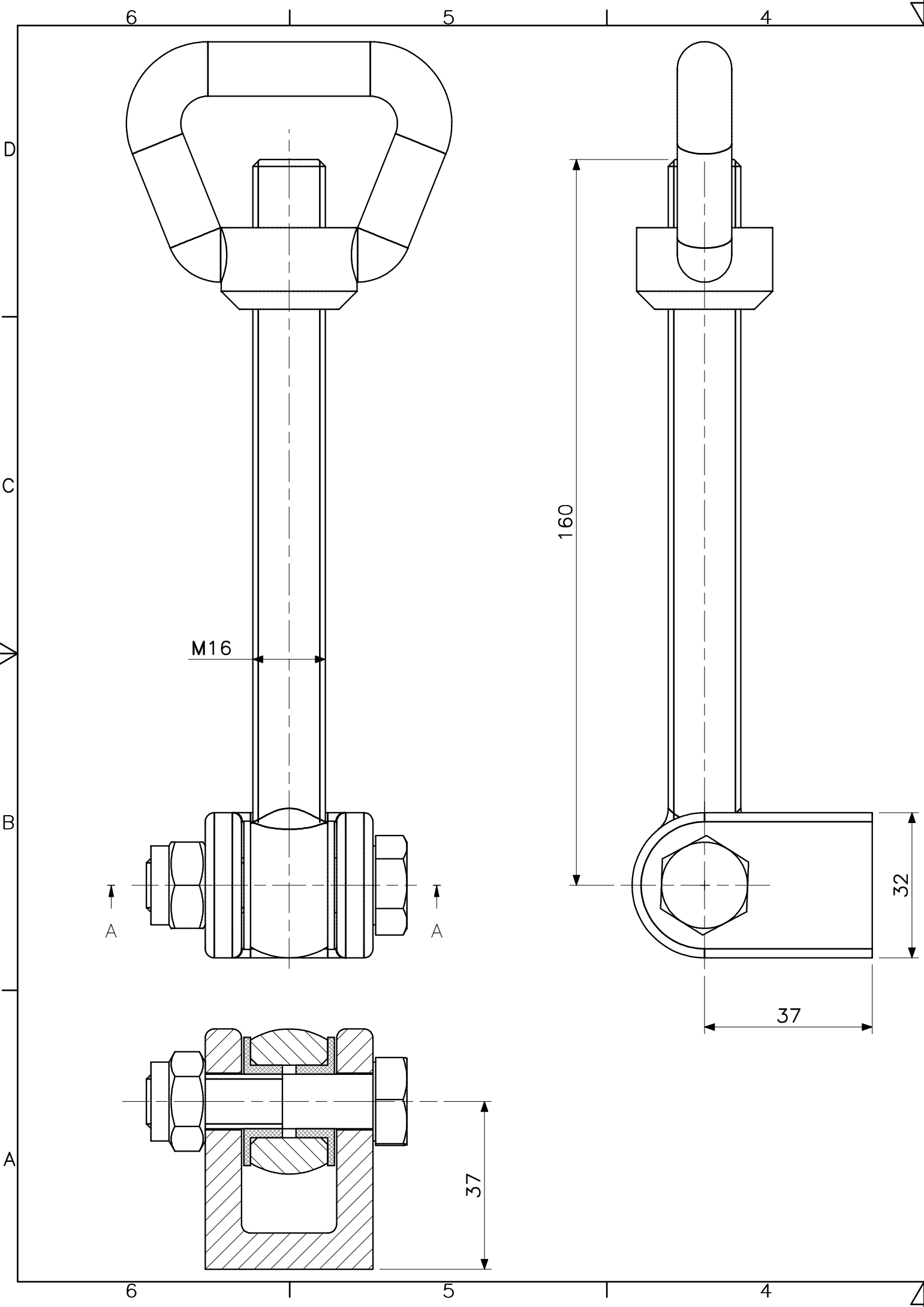


This drawing and design is protected by copyright and the information is confidential. It is also protected and registered under Dutch laws through the Dutch government department for taxes. The drawing and/or models may not be copied, reproduced, duplicated or disclosed to others, in whole or in part without prior written consent of Rob Snel B.V./the Netherlands



POS	QTY	TITLE	MATERIAL	DIMENSION	DWG NR
3	1	TOGGLE M16 MESSING	Messing	M16	16.BR.213.00
2	1	EYE BOLT M16x160 MESSING	Messing	M16x160	16.BR.310.14
1	1	Fixation Set	Stainless Steel		16.SS.315.53

C		
B		
A		

Rev.: REV. DATE: REVISION SUBJECT

Date:	13-9-2021	 <p>Rob Snel Technische Groothandel Industrieweg 39 3361 HJ Sliedrecht</p> <p>T +31 (0)184 43 30 30 F +31 (0)184 43 30 31 E s.snel@robsnel.nl I www.robsnel.nl</p>	Art.nr:
Drawn:	Hans Baars		Projection type:
Scale:	1:1		
Status:	Pending		
Cust.:			
Project:			

Title: Assembly M16 Toggle nut - Eye bolt - Fixation set

Mat:	Dwg.nr:	Revision:	Sheet:	Format:
	16.BR.021.16		1	A3