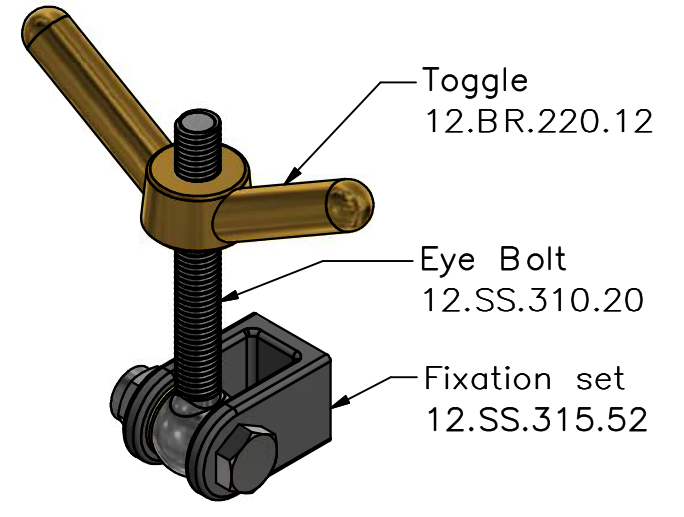
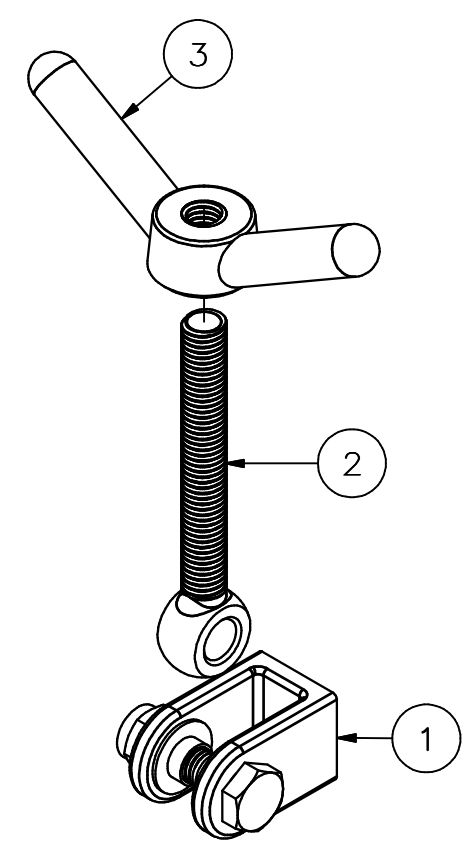
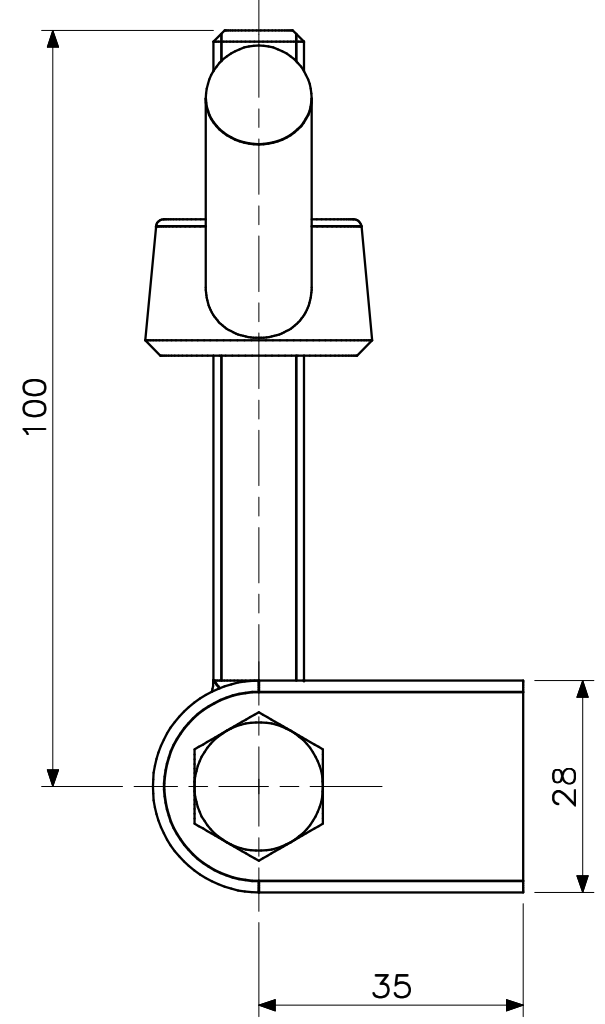
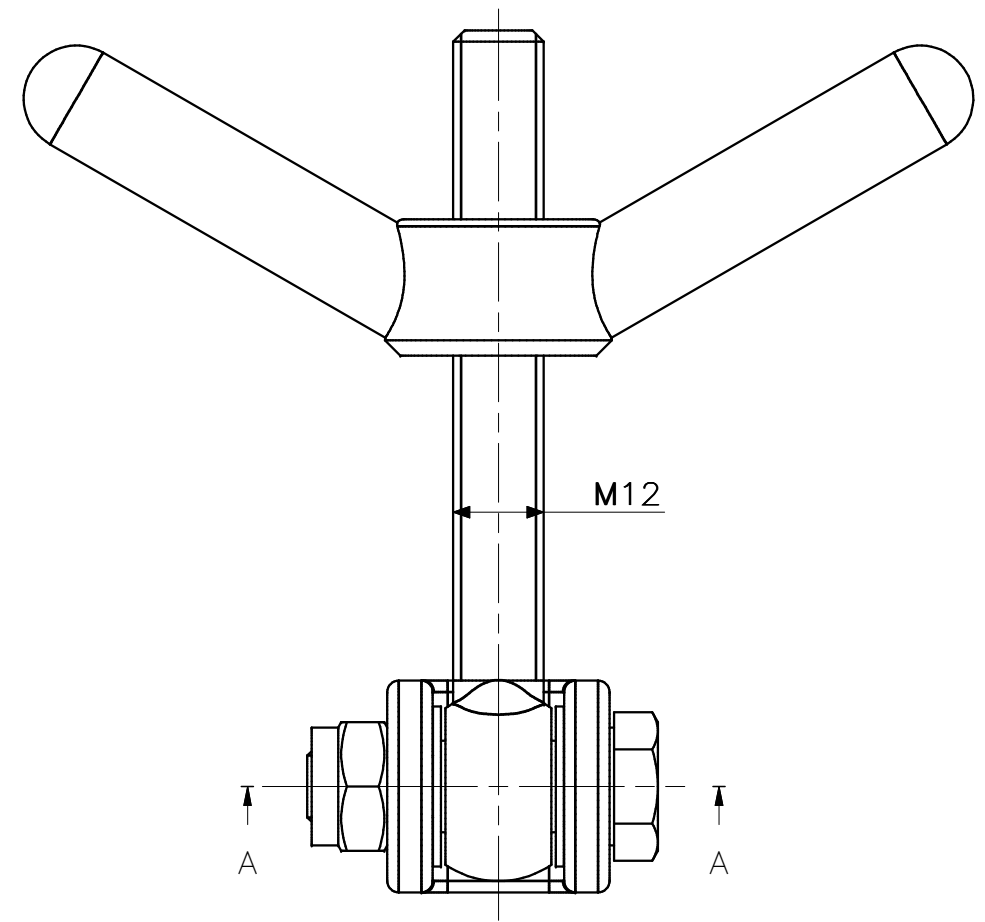
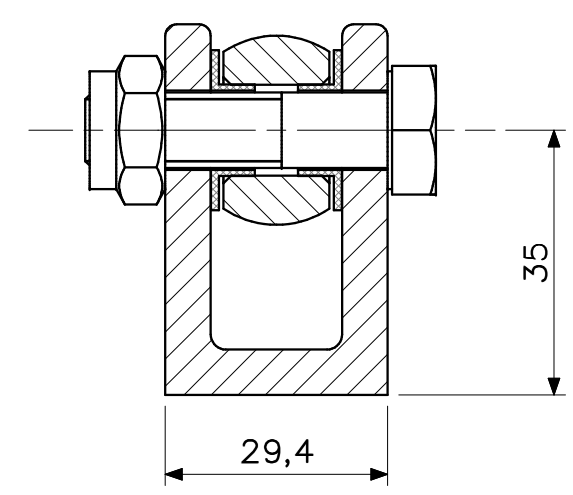

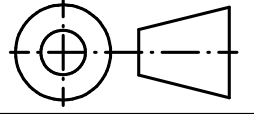


This drawing and design is protected by copyright and the information is confidential. It is also protected and registered under Dutch laws through the Dutch government department for taxes. The drawing and/or models may not be copied, reproduced, duplicated or disclosed to others, in whole or in part without prior written consent of Rob Snel B.V./the Netherlands



3D-IMPRESSON - EXPLODED VIEW



3	1	BUTTERFLY TOGGLE M12 MESSING	Messing	M12	12.BR.220.12
2	1	EYE BOLT M12x100 STAINLESS STEEL	Stainless Steel	M12x100	12.SS.310.20
1	1	Fixation Set	Stainless Steel		12.SS.315.52
POS	QTY	TITLE	MATERIAL	DIMENSION	DWG NR
C					
B					
A					
Rev.:		REV. DATE:	REVISION SUBJECT		
Date:	13-9-2021	 <b>Rob Snel</b> <small>TECHNISCHE GROOTHANDEL</small>			Art.nr:
Drawn:	Hans Baars				
Scale:	1:1				
Status:	Pending				
Cust.:					
Project:		Rob Snel Technische Groothandel Industrieweg 39 3361 HJ Sliedrecht T +31 (0)184 43 30 30 F +31 (0)184 43 30 31 E s.snel@robsnel.nl I www.robsnel.nl			Projection type: 
Title: <b>Assembly M12 Toggle nut - Eye bolt - Fixation set</b>					
Mat:		Dwg.nr:	12.SS.022.10		Revision: Sheet: Format:
					1 1 A3